

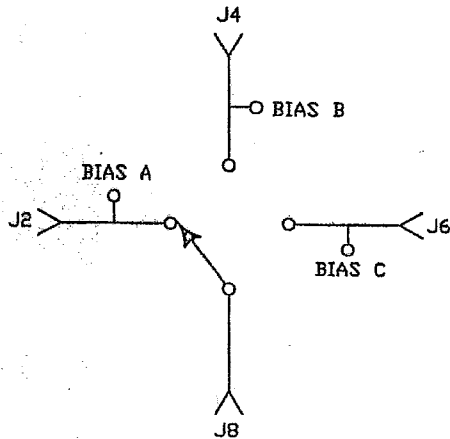
DESCRIPTION

AMC MODEL SWN-1140-3DT-STANDARD OPTION: SHL, HPR4W, HS30NS IS A SINGLE POLE THREE THROW, NON-REFLECTIVE/ABSORPTIVE SWITCH MODULE WITH LOW INSERTION LOSS, HIGH SPEED AND INTEGRAL TTL DRIVER, DESIGNED FOR HIGH POWER FROM 600 MHz TO 1.3 GHz.

SPECIFICATIONS:

- FREQUENCY: 0.6 GHz TO 1.3 GHz
- INSERTION LOSS: ABSORPTIVE: 1.5 dB MAXIMUM
- ISOLATION: 70 dB
- VSWR: ABSORPTIVE IN/OUT: 1.5:1
ABSORPTIVE OUT/OFF: 1.5:1
- SPEED: DELAY ON: 30ns
DELAY OFF: 30ns
- RF POWER: 4 WATTS
- CONTROL: TTL LOGIC "0"=ON "1"=OFF
- POWER SUPPLY: +5V @ 150 mA MAX.
-15V @ 100 mA MAX.
- SIZE: 1.25" (L) x 1.25" (W) x 0.40" (H)
- WEIGHT: 2.0 oz.

BLOCK DIAGRAM



ENVIRONMENTAL RATINGS:

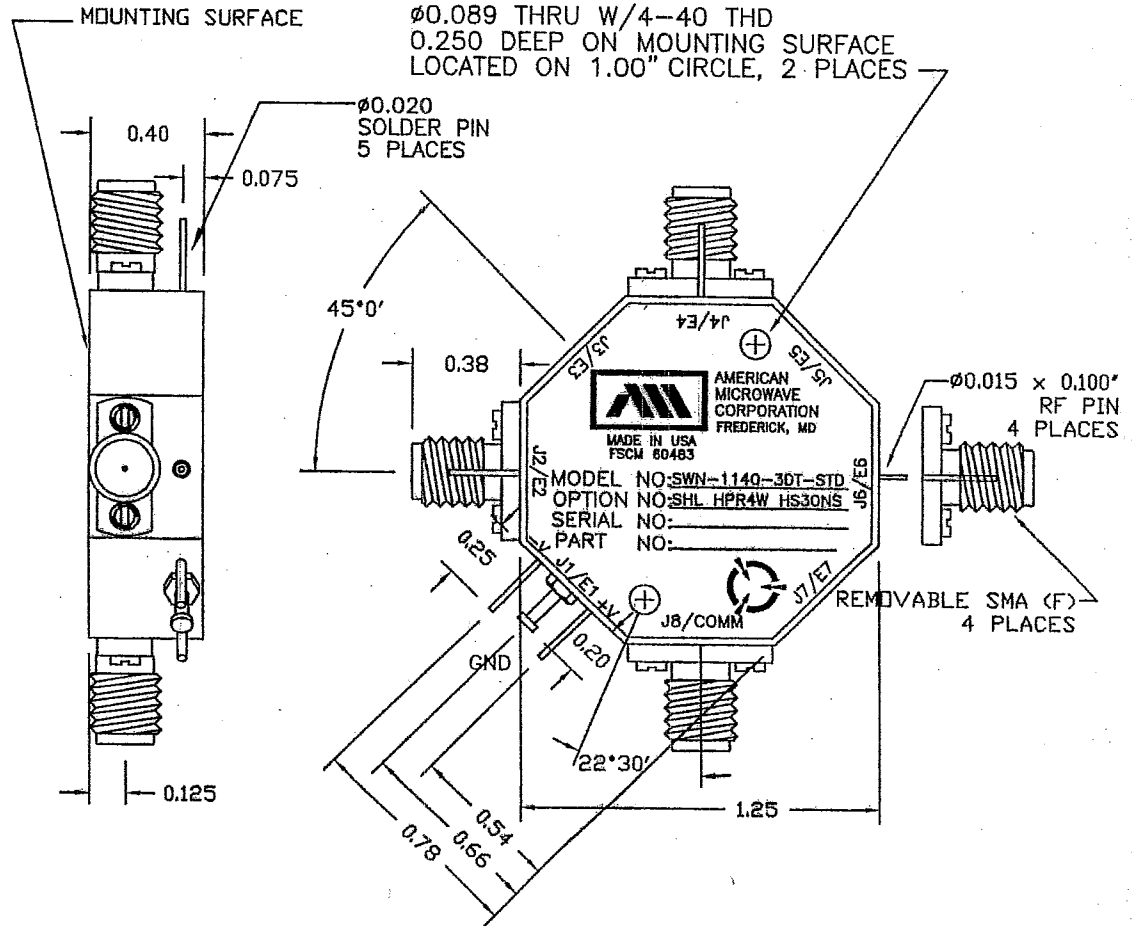
- TEMPERATURE: -55°C TO +85°C (OPERATING)
-65°C TO +125°C (STORAGE)
- HUMIDITY: MIL-STD-202F, METHOD 103B COND. B
- SHOCK: MIL-STD-202F, METHOD 213B COND. B
- VIBRATION: MIL-STD-202F, METHOD 204D COND. B
- ALTITUDE: MIL-STD-202F, METHOD 105C COND. B
- TEMPERATURE CYCLE: MIL-STD-202F, METHOD 107D COND. A

NOTE: THE ABOVE SPECIFICATIONS ARE SUBJECT TO CHANGE OR REVISION

ALL DIMENSIONS ARE IN INCHES

TOLERANCES:
X.XX ±0.020
X.XXX ±0.010

REVISIONS			
ZONE	REV.	DESCRIPTION	DATE
-	-	ORIGINAL RELEASE	05/08/02



CONTRACT NO.		AMERICAN MICROWAVE CORPORATION FREDERICK, MARYLAND	
APPROVALS	DATE	TITLE PRODUCT FEATURE	
DRAWN KAB	05/08/02	SWN-1140-3DT-STANDARD OPTION: SHL, HPR4W, HS30NS RADIAL SOLID STATE SWITCH	
CHECKED M	7/2/02	SIZE A	FSCM NO. 60483
ISSUED		DWG NO. 100-6352	REV. -
SCALE N/S		SHEET 1 of 3	